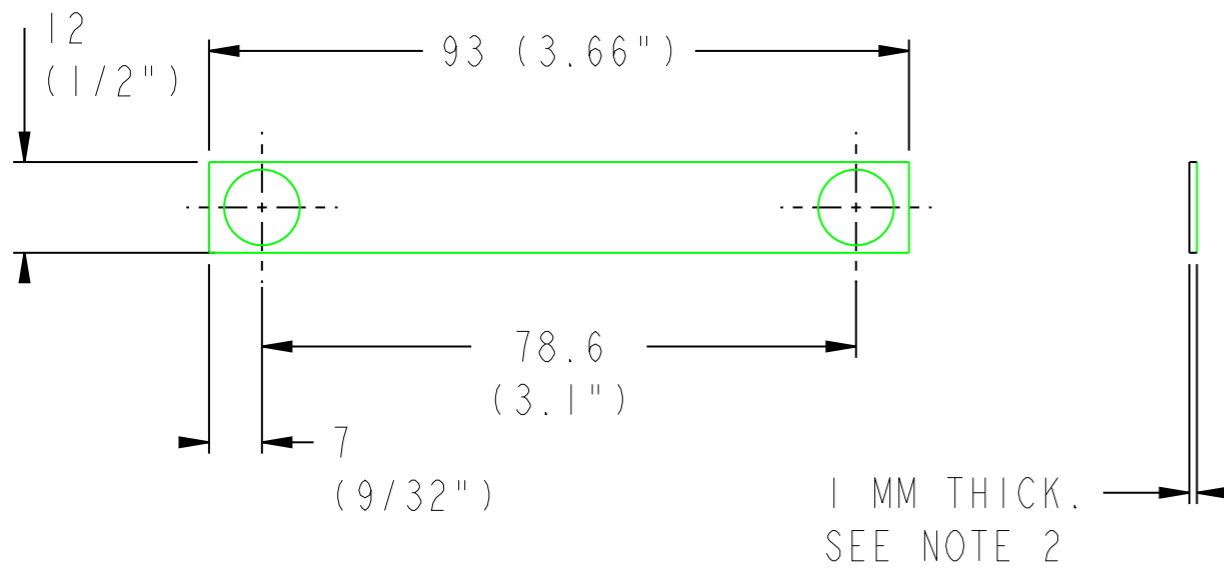


SSL STRIP 3 UNBENT:



NOTES

- 1) OPTION: USE 3/8" DRILL BIT
- 2) OPTION: STRIP THICKNESS BETWEEN 1/32" AND 1/16" CAN BE USED

2	Electric tape	0000000	Buy	-	1
1	SSL Strip 1/2" WIDHT	0000000	Buy	-	1
#	NAME	DRW No.	SUPPLIAR	CATALOG NO.	QNT

	PART NAME			
	Isolated SSL strip #3			
	WWW.HYDROGEN-FIRST-AID.COM			
	Designer	Pavlo K.	DRAWING NUMBER	MATERIAL
	Drawer	Pavlo K.	2120040	-
Approver	Pavlo K.	SUPPLIER	CATALOG NUMBER	
TOLERANCES (MM UNLESS OTHERWISE SPECIFIED)		Make	-	
±	0.5	UPDATE		
±	0.5°	00		
A3				