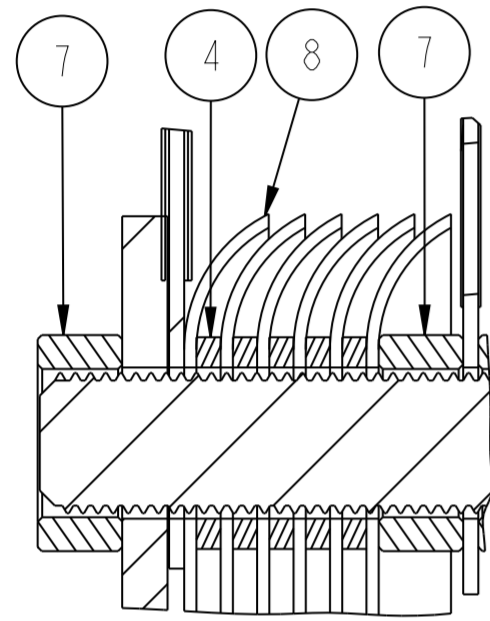
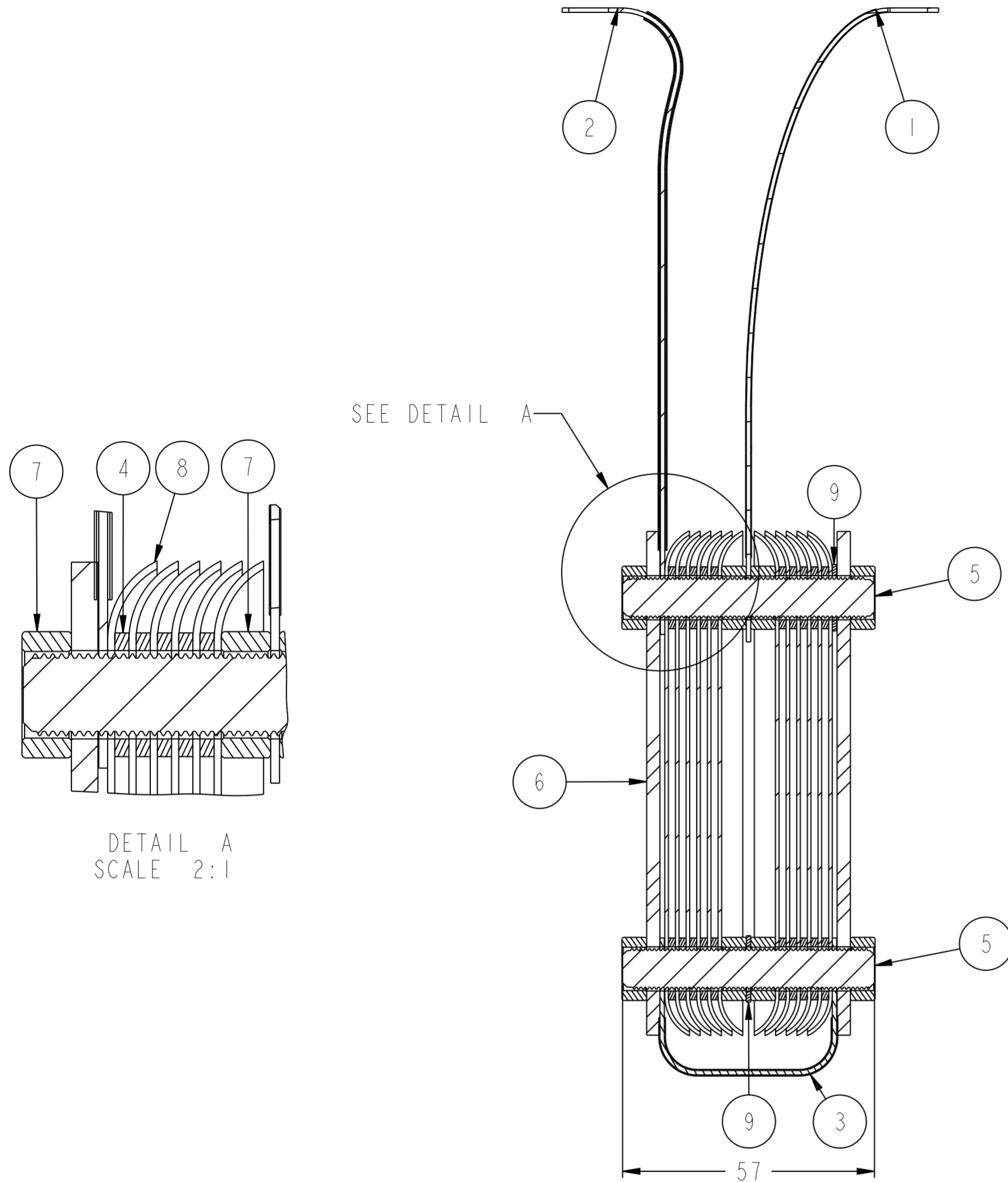
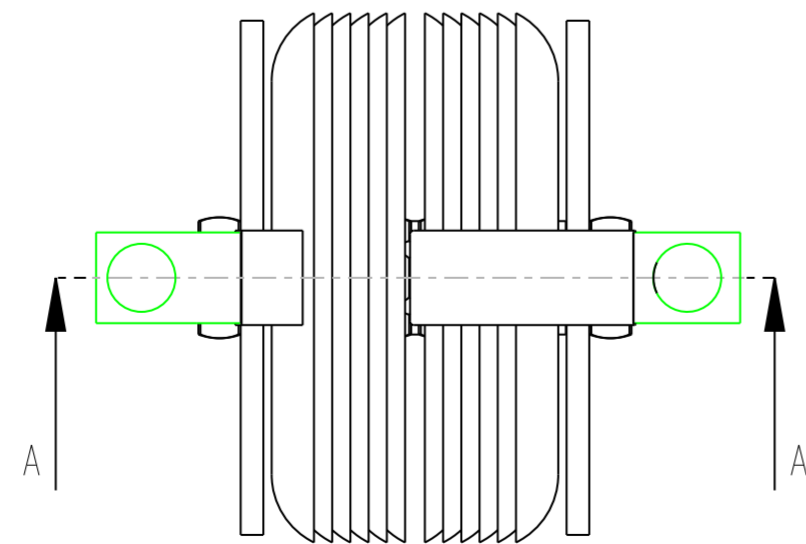
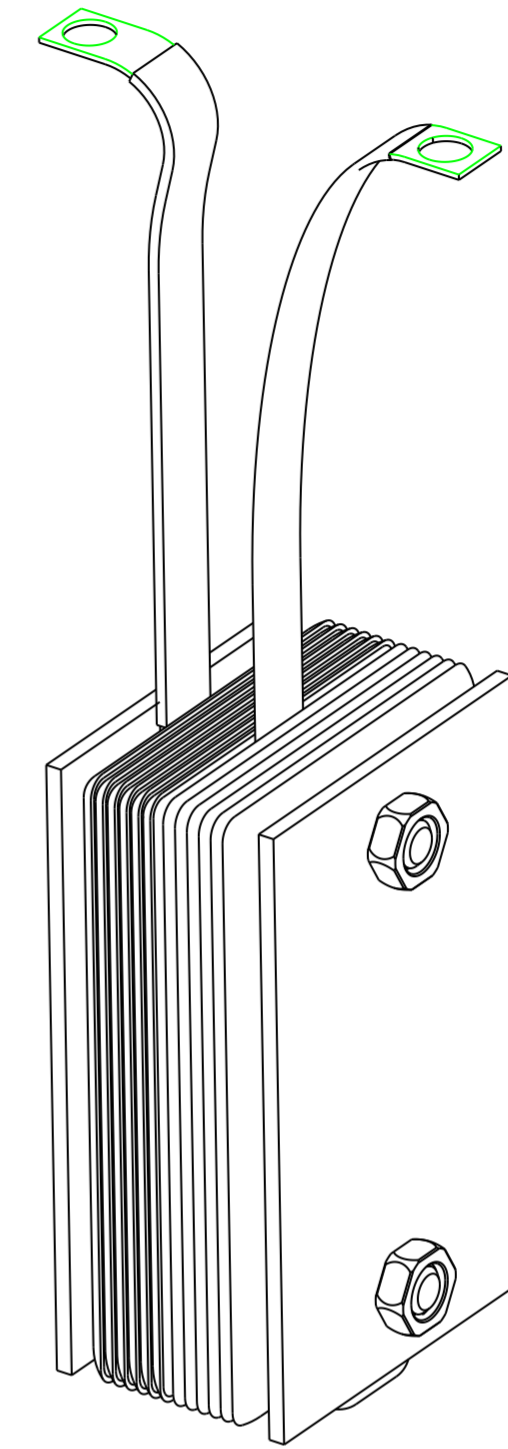
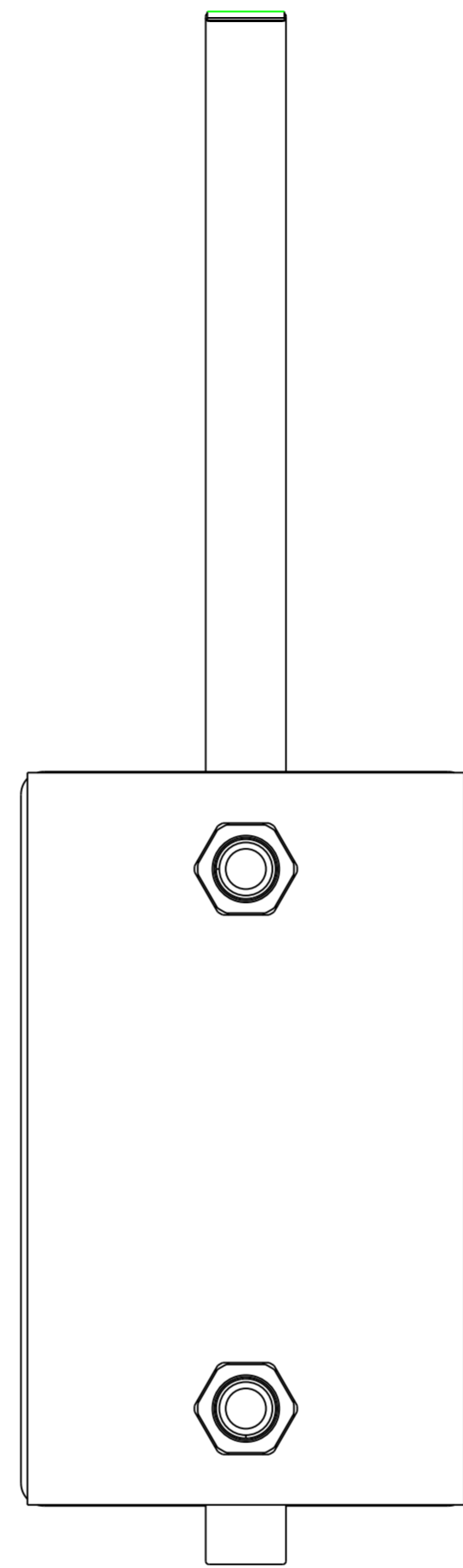


SECTION A-A  
SCALE 1:1



DETAIL A  
SCALE 2:1



NOTES

- 1) ITEM 4 CAN BE REPLACED WITH "Nylon washer M10 Thickness 1.6MM"
- 2) ITEM 5 AND 7 CAN BE REPLACED WITH "Plastic Threaded rod M10 Length 60" and "SSL nut M10 height 6.5MM"
- 3) ITEM 9 CAN BE REPLACED WITH "SSL washer M10 Thickness 1MM"

9	SSL washer 3/8" Thickness 3/64"	0000000	Buy	-	2
8	SSL PLATE - MACHINING AND SANDING	2120010	Make	-	12
7	SSL nut 3/8" height 7/32"	0000000	Buy	-	8
6	PVC side plate	2120001	Make	-	2
5	Plastic threaded rod 3/8" Length 2.25"	0000000	Buy	-	2
4	Nylon washer 3/8" Thickness 1/16"	0000000	Buy	-	20
3	Isolated SSL strip #3	2120040	Make	-	1
2	Isolated SSL Strip #2	2120030	Make	-	1
1	Isolated SSL Strip #1	2120020	Make	-	1
#	NAME	DRW No.	SUPPLIER	CATALOG NO.	QNT

PART NAME:					
PLATES ARRAY - ASSEMBLY					
<a href="http://WWW.HYDROGEN-FIRST-AID.COM">WWW.HYDROGEN-FIRST-AID.COM</a>					
Designer	Pavlo K.		DRAWING NUMBER	MATERIAL	
Drawer	Pavlo K.		2120100		
Approver	Pavlo K.				
TOLERANCES (MM UNLESS OTHERWISE SPECIFIED)			SUPPLIER	CATALOG NUMBER	
±	0.5		ASM	00	
±	0.5			UPDATE	
A2				00	

