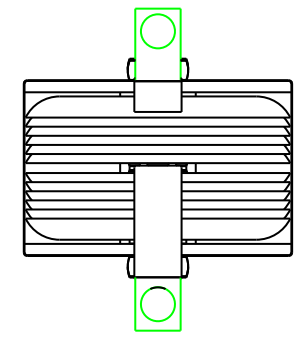


TOP VIEW




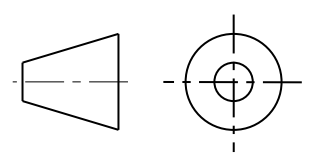
SCALE 1:2

1

2

NOTES

1) ITEM 1 CAN BE REPLACED WITH SHRINK WRAP

2	PLATES ARRAY - ASSEMBLY	2120100	ASM	00	1
1	Duct tape	00000000	Buy	00	1
#	NAME	DRW No.	SUPPLIAR	CATALOG NO.	QNT
		PART NAME			
		Plates array - Wrapping			
		WWW.HYDROGEN-FIRST-AID.COM			
Designer	Pavlo K.	DRAWING NUMBER		MATERIAL	
Drawer	Pavlo K.	2120200		-	
Approver	Pavlo K.				
TOLERANCES (MM UNLESS OTHERWISE SPECIFIED)		SUPPLIER	CATALOG NUMBER		
		ASM	00		
±	0.5	UPDATE			
±	0.5°	00			
A3					