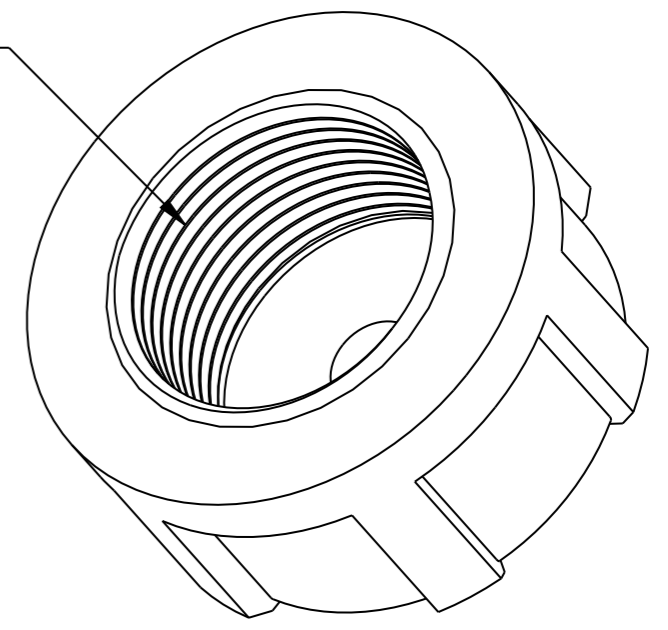

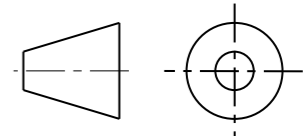


3/4" NPT FEMALE THREAD



NOTES

1) OPTION: USE 7 MM DRILL BIT

	I	PVC 3/4" cup	0000000	Buy	00	I
	#	NAME	DRW No.	SUPPLIAR	CATALOG NO.	QNT
	PART NAME					
	Cup 3/4" - Machining					
	WWW.HYDROGEN-FIRST-AID.COM					
	Designer	Yuri A.		DRAWING NUMBER	MATERIAL	
	Drawer	Pavlo K.		2120510		
Approver	Pavlo K.					
TOLERANCES (MM UNLESS OTHERWISE SPECIFIED)			SUPPLIER	CATALOG NUMBER		
±	0.5	Make	00			
±	1°		UPDATE			
A3				00		